

NO.	DATE	REVISION

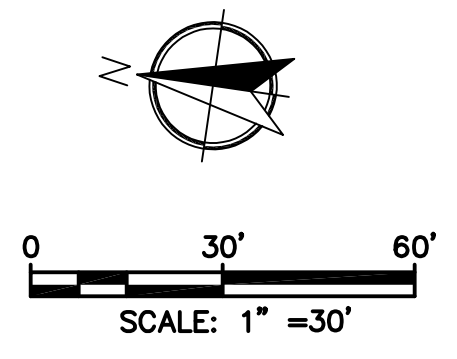
TOWN GREEN
FOR CITY OF MONROE, GEORGIA
SITE PLAN

THIS BAR IS
1 INCH LONG
PLOTTED FULL SCALE

Project Manager:
SAM SERIO, P.E.
Drawn By: **AJH** Checked By: **GWS**
Date: 02/01/2022
Scale: As Shown

Project No.:
201070
Drawing No.:
C.1.00

This drawing and the design shown are the property of Keck & Wood, Inc. The reproduction, copying or other use of this drawing without written consent is prohibited and any infringement will be subject to legal action.
© 2021 Keck & Wood, Inc.



POROUS ASPHALT

C:\Shared Drive\2020\Projects\201070 - Monroe - On-Call\Engineering\04 Park\Town Green\Phase 1.dwg